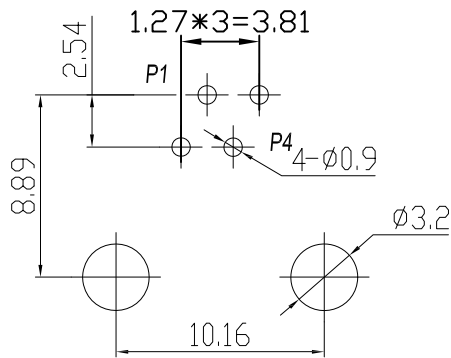
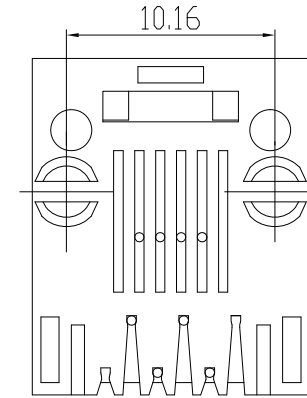
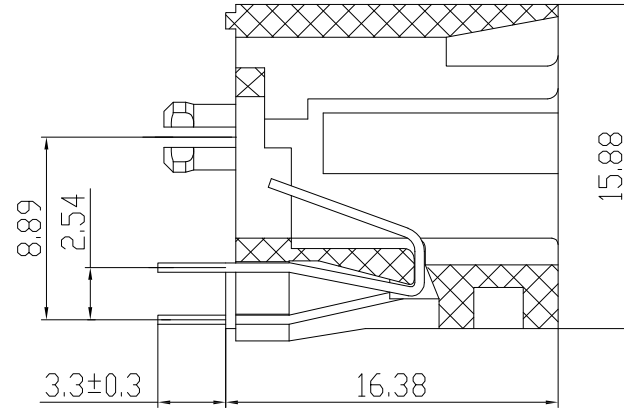
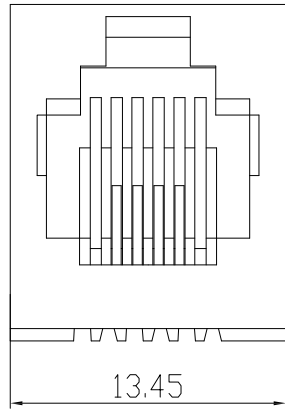


REV.	ECN NO OR DESCRIPTION	REVISED	DATE
AO	INITIAL RELEASE	KEN	20.09.08



PC Board Layout

PCB JACK Specification

1. Insulation Resistance: 500MΩ M N @ 500 VDC
2. Withstanding Voltage: AC1 000V 50Hz or 60Hz 1 min.
3. Durability: 600 Mating Circles M N.
4. Gold Plating: (3; 6; 15; 30; 50) u inch
5. Tolerances Unless Other wise Specified  
 .0 ± 0.25   .00 ± 0.20   .000 ± 0.10

UNLESS OTHERWISE SPECIFIED TOLERANCES		Coorle 库乐科技	
DECIMALS:	ANGLES:	TITLE	5222 6P4C 无耳
X :±0.20	X :±3°	DWN	Michael 19.09.08
X.X :±0.10	X.X :±1°	CHKD	
X.XX :±0.05		APVD	
		PART-NO:	
		UNIT: mm	
		SHEET:1 OF 1	
		SCALE:1/1	
<b>ENGINEERING COPY</b>			